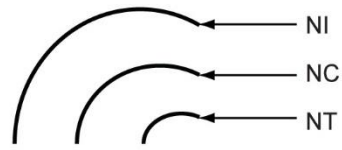
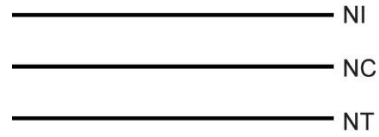


ILLUSTRATIONS, BOOK ONE, CHAPTER VII, section 02

1-07-02-E-03

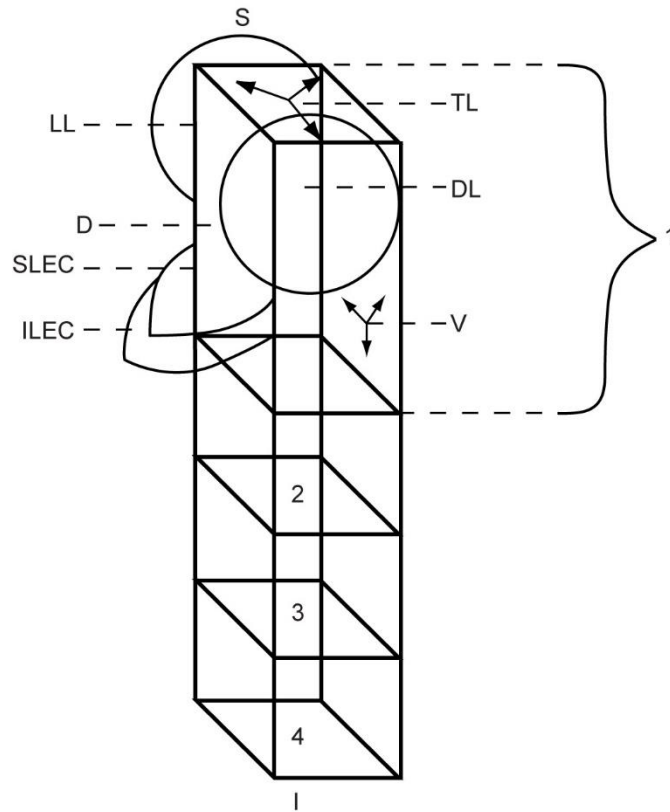


Legend:
NI Neuro-integumentary
NC Neural crest
NT Neural tube



The Mesencephalon

1-07-02-x-01



Legend:

- 1. Uperprosencephalon
- 2. Rhinenprosencephalon
- 3. Thalamenprosencephalon
- 4. Upoprosencephalon

1-07-02-x-02

